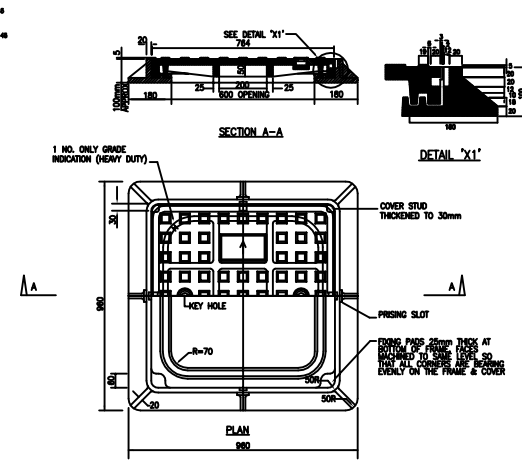


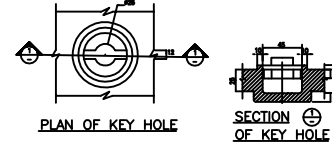
RAINWATER MANHOLE COVER DETAIL (DOUBLE SEALED)

REFERENCE	OPENING SIZE			
	A	B	C	D
BS487	457	457	457	457
	610	610	610	610

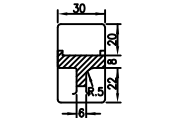
MANHOLE OPENING SIZE



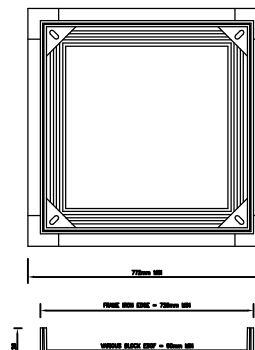
FOUL SEWAGE MANHOLE COVER DETAIL (DOUBLE SEALED)



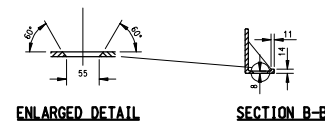
PLAN OF KEY HOLE SECTION OF KEY HOLE



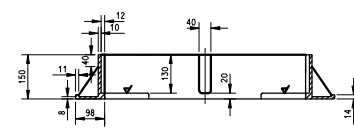
SECTION B-B



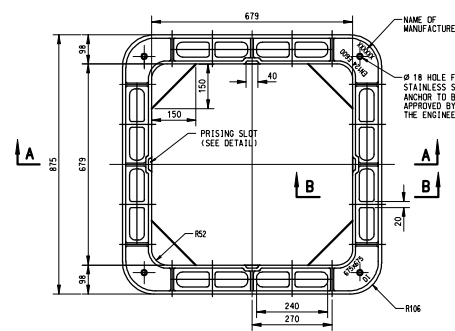
PROPRIETARY MADE S.S. MATCHING COVER & FRAME (DOUBLE SEALED)



ENLARGED DETAIL SECTION B-B

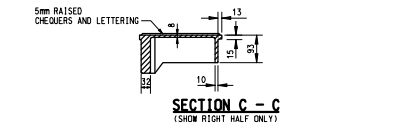


SECTION A-A

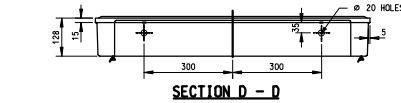


PLAN OF FRAME

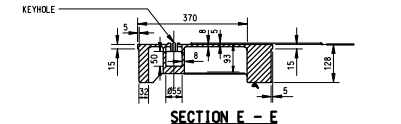
STANDARD 675 SQUARE DOUBLE TRIANGULAR DUCTILE IRON MANHOLE COVER & FRAME OUTSIDE SITE BOUNDARY



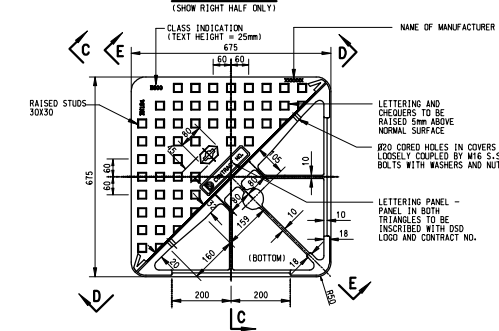
SECTION C-C (SHOW RIGHT HALF ONLY)



SECTION D-D (SHOW RIGHT HALF ONLY)

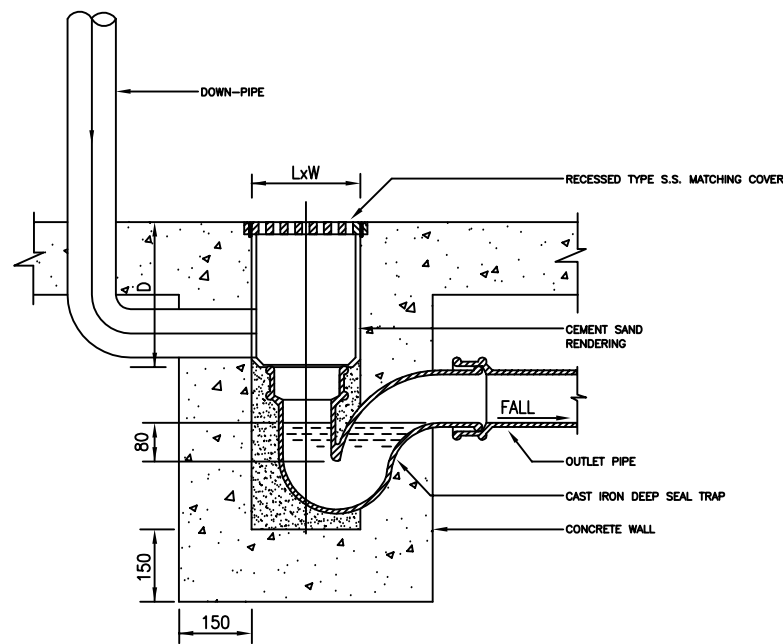


SECTION E-E (SHOW RIGHT HALF ONLY)



PLAN OF SEWER MANHOLE COVER

C.I. MANHOLE COVER & FRAME

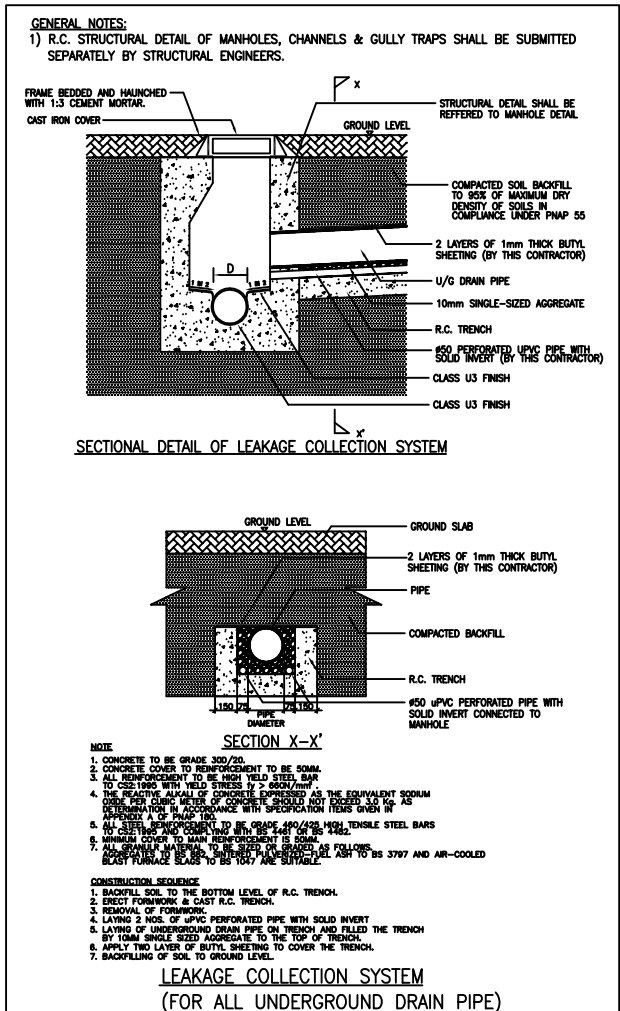


DISCHARGE PIPE SIZE (mm)	L	W	D	GRATING CLEAR OPENING
#100	225	225	225	225x225
#150	300	300	300	300x300
#225	800	800	800	800x800

OPEN TRAPPED GULLY (O.T.G.) WITH BACK INLET

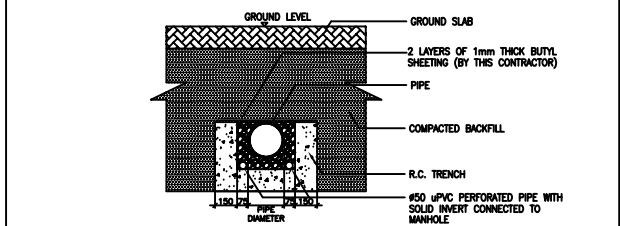
NOTES:

- 450x450 CLEAR OPENING MANHOLE COVER OR GRATING SHALL BE PROVIDED FOR 600mm DEPTH & OVER OF RAINWATER TRAPPED GULLY.
- 4 NOS. OF FIXING STAINLESS STEEL BOLTS AND SEALED GASKET FOR GULLY COVER OR GRATING SHALL BE PROVIDED FOR SIZE OF 300mm x 300mm AND BELOW.



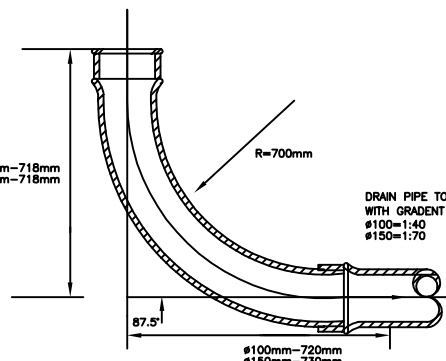
GENERAL NOTES:
1) R.C. STRUCTURAL DETAIL OF MANHOLES, CHANNELS & GULLY TRAPS SHALL BE SUBMITTED SEPARATELY BY STRUCTURAL ENGINEERS.

SECTIONAL DETAIL OF LEAKAGE COLLECTION SYSTEM

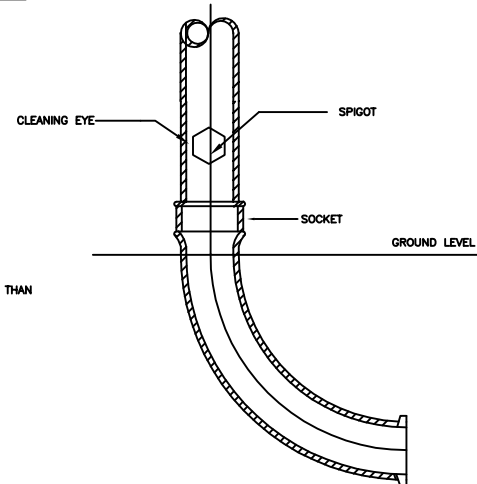


NOTE:
1. CONCRETE TO BE GRADE 300/20.
2. ALL REINFORCEMENT TO BE HIGH YIELD STEEL.
3. ALL CONCRETE COVER TO REINFORCEMENT TO BE 25mm.
4. THE REINFORCEMENT SHALL BE PROVIDED AS THE EQUIVALENT SQUARE OR RECTANGULAR IN CROSS SECTION WITH SPECIFICATION REFS GIVEN AS PER DRAWING.
5. ALL REINFORCEMENT TO BE GRADE 460/460 HIGH TENSILE STEEL BARS.
6. MINIMUM COVER TO REINFORCEMENT TO BE 25mm.
7. ALL REINFORCEMENT SHALL BE PROVIDED AS PER DRAWING.
8. ALL REINFORCEMENT SHALL BE PROVIDED AS PER DRAWING.
9. ALL REINFORCEMENT SHALL BE PROVIDED AS PER DRAWING.
10. ALL REINFORCEMENT SHALL BE PROVIDED AS PER DRAWING.

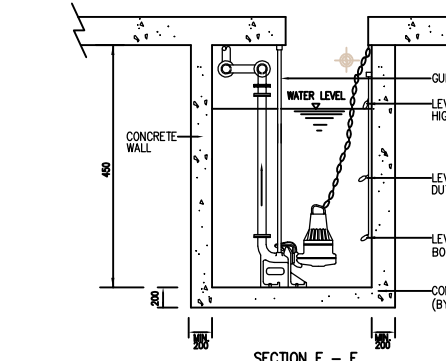
LEAKAGE COLLECTION SYSTEM (FOR ALL UNDERGROUND DRAIN PIPE)



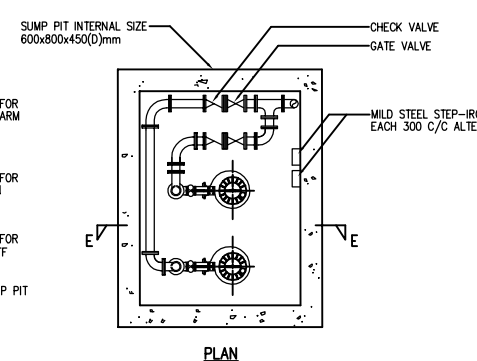
DETAIL OF CAST IRON DRAIN PIPE WITH LARGE RADIUS BEND



DETAIL OF PIPE CONNECTION FROM ABOVE GROUND TO UNDERGROUND



TYPICAL DETAIL OF SUMP PIT (FOR LIFT)



PLAN

FOR ALL PLANTER KERB TO BE 100 H. FROM FINISH LEVEL EXCEPT OTHERWISE STATED
FOR ALL KERBS OF FOOTPATHS ADJACENT TO PLANTERS (EXCEPT TREE PITS), THE PLANTER SOIL LEVEL ARE KEPT AT A MINIMUM OF 50mm LOWER THAN THE KERB LEVEL.

No.	Date	ISSUE FOR TENDER	WT
01/12		ISSUE FOR TENDER	WT

Consultant Project No. 080101

ARTHUR C. S. KWOK ARCHITECTS & ASSOCIATES LIMITED
1401 ARGYLE CENTRE ONE KOWLOON

CANWEST CONSULTANTS LIMITED
CIVIL & STRUCTURAL ENGINEERS

THOMAS ANDERSON & PARTNERS (H.K.) LIMITED
CONSULTING ENGINEERS, BUILDING SERVICES

Designed	Drawn	Checked	Approved

Contract No. File No.

Project No. 420 R0
Consultant Agreement No. 9AS022

Contract LOCAL OPEN SPACE AT CHUNG YEE STREET, KOWLOON CITY DISTRICT

Drawing Title STANDARD DETAILS FOR DRAINAGE SYSTEM (III)

Drawing No. BS/2263/SD303 Scale A1 = 1 : 250 A3 = 1 : 500

Approved Signed (Chief) 04 JUL 2008 (Date)
ARCHITECTURAL SERVICES DEPARTMENT