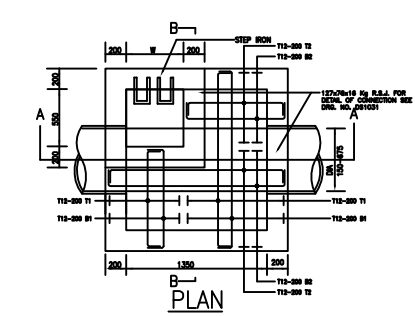
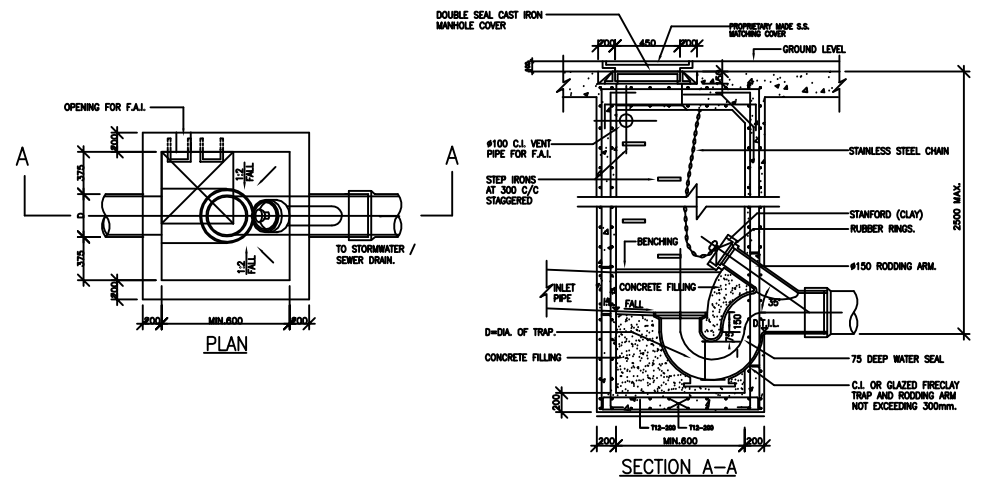


TERMINAL MANHOLE T3 FOR PIPE DIAMETER LESS THAN 450mm (FOR FOUL TERMINAL MANHOLE)

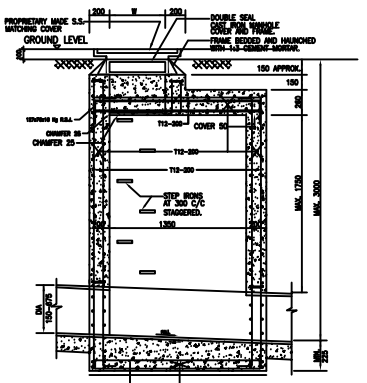


MANHOLE TYPE E

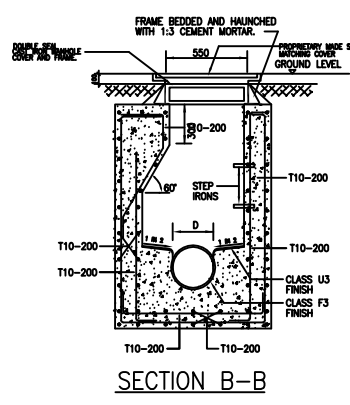
NOTES :-  
 PIPE DIAMETER : 150 TO 675mm.  
 NORMAL RANGE OF DEPTH : 1500 TO 3000mm (FROM ROAD LEVEL TO LOWEST INVERT.)  
 USED IN : STORMWATER DRAIN AND SEWER  
 JUNCTION : POSITION OF JUNCTION TO BE DETERMINED IN EACH INDIVIDUAL CASE. CHANNELS IMMEDIATELY UNDER ACCESS TO MANHOLE SHOULD BE AVOIDED.  
 TOP TREATMENT : SEE DETAIL  
 FOUNDATION : FOUNDATION OF MANHOLE VARIES WITH SITE CONDITION. THEREFORE, IT SHOULD BE DETERMINED ON SITE BY THE ENGINEER.  
 CONCRETE : GRADE 30/20  
 COVER SIZE : 550 (INSIDE BOUNDARY) 675 (OUTSIDE BOUNDARY)  
 ALL BAR MARKS APPEARED HEREON ARE USED FOR REFERENCE IN THIS DRAWING ONLY.  
 MINIMUM COVER AT END OF BARS 40mm.  
 FOR DETAILS OF MINIMUM HOOK AND BEND ALLOWANCES SHALL SEE THE C.E.O. MANUAL DRAWING NO. CE 1034.



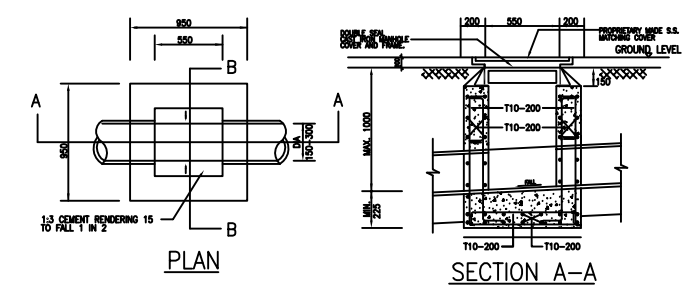
TERMINAL MANHOLE T1 FOR PIPE DIAMETER EQUAL OR LESS THAN 450mm (FOR STORM TERMINAL MANHOLE)



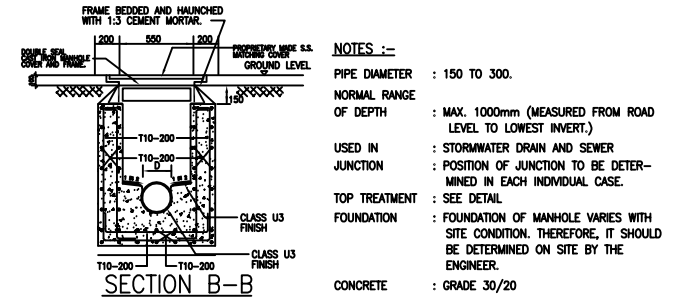
MANHOLE TYPE D



NOTES :-  
 PIPE DIAMETER : 150 TO 675.  
 NORMAL RANGE OF DEPTH : 1000 TO 1500mm (FROM ROAD LEVEL TO LOWEST INVERT.)  
 USED IN : STORMWATER DRAIN AND SEWER  
 JUNCTION : POSITION OF JUNCTION TO BE DETERMINED IN EACH INDIVIDUAL CASE. CHANNELS IMMEDIATELY UNDER ACCESS TO MANHOLE SHOULD BE AVOIDED.  
 TOP TREATMENT : SEE DETAIL  
 FOUNDATION : FOUNDATION OF MANHOLE VARIES WITH SITE CONDITION. THEREFORE, IT SHOULD BE DETERMINED ON SITE BY THE ENGINEER.  
 CONCRETE : GRADE 30/20



MANHOLE TYPE C



- GENERAL NOTES:
- 1) THE BENCHINGS AND ALL THE INTERNAL FACES OF EVERY MANHOLE SHALL BE RENDERED WITH CEMENT MORTAR SO AS TO PROVIDE A SMOOTH AND IMPERVIOUS SURFACE.
  - 2) THE SEPARATION BETWEEN THE EDGE OF EACH DRAIN SHALL BE OF MIN. 200mm
  - 3) WHERE THE NUMBER OF BRANCHES CONNECTING TO MANHOLE EXCEEDS THOSE INDICATED IN THE STANDARD MANHOLE SCHEDULE, PROLONGMENT OF 200mm SHALL BE PROVIDED TO MANHOLE DIMENSION FOR EVERY SURPLUS BRANCH.

STANDARD MANHOLE SCHEDULE

DEPTH - GROUND LEVEL TO INVERT	STANDARD M.H. TYPE	C/D		E		F			
		L	W	L	W	L	W		
100 Dia Main	Turning	No Branch	750	750	1000	1350	1000	1350	
		1 Branch	750	750	1350	1350	1350	1350	
		2 Branches	1050	750	1350	1350	1350	1350	
		4 Branches	1250	750	1350	1350	1350	1350	
	Straight	No Branch	750	750	1000	1350	1000	1350	
		1 Branch	750	750	1350	1350	1350	1350	
		2 Branches	1050	750	1350	1350	1350	1350	
		4 Branches	1250	750	1350	1350	1350	1350	
	150 Dia Main	Turning	No Branch	750	750	1000	1350	1000	1350
			1 Branch	750	750	1350	1350	1350	1350
			2 Branches	1050	750	1350	1500	1350	1500
			4 Branches	1350	750	1350	1500	1350	1500
Straight		No Branch	750	750	1000	1350	1000	1350	
		1 Branch	750	750	1350	1350	1350	1350	
		2 Branches	1050	750	1350	1500	1350	1500	
		4 Branches	1350	750	1350	1500	1350	1500	
225 Dia Main		Turning	No Branch	900	750	1000	1350	1000	1350
			1 Branch	900	750	1350	1350	1350	1350
			2 Branches	1250	750	1350	1500	1350	1500
			4 Branches	1500	750	1350	1500	1350	1500
	Straight	No Branch	900	750	1000	1350	1000	1350	
		1 Branch	900	750	1350	1350	1350	1350	
		2 Branches	1250	750	1350	1500	1350	1500	
		4 Branches	1500	750	1350	1500	1350	1500	
	300to375 Dia Main	Turning	No Branch	1200	750	1350	1350	1350	1350
			1 Branch	1200	750	1350	1350	1350	1350
			2 Branches To 4 Branches	1350	1200	1350	1650	1350	1650
			4 Branches To 12 Branches	1800	1650	1950	2250	1950	2250
Straight		No Branch	1050	900	1050	1350	1050	1350	
		1 Branch	1200	900	1350	1350	1350	1350	
		2 Branches To 4 Branches	1350	1200	1500	1500	1500	1500	
		4 Branches To 12 Branches	1800	1800	1950	1950	1950	1950	
450to750 Dia Main		Turning	No Branch	1200	1000	1350	1350	1350	1350
			1 Branch	1200	1000	1350	1350	1350	1350
			2 Branches To 4 Branches	1500	1350	1650	1650	1650	1650
			4 Branches To 12 Branches	1800	1650	1950	1950	1950	1950
	Straight	No Branch	1200	1000	1350	1350	1350	1350	
		1 Branch	1200	1000	1350	1350	1350	1350	
		2 Branches To 4 Branches	1500	1350	1650	1650	1650	1650	
		4 Branches To 12 Branches	1950	1650	2150	2150	2150	2150	
	900to1200 Dia Main	Turning	No Branch	1800	1800	2000	2000	2000	2000
		Straight	1 Branch	1800	1800	2000	2000	2000	2000

FOR ALL PLANTER KERB TO BE 100 H. FROM FINISH LEVEL EXCEPT OTHERWISE STATED

FOR ALL KERBS OF FOOTPATHS ADJACENT TO PLANTERS (EXCEPT TREE PITS), THE PLANTER SOIL LEVEL ARE KEPT AT A MINIMUM OF 50mm LOWER THAN THE KERB LEVEL.

No.	Date	ISSUE FOR TENDER	WT
		Description	Initial
Revision			
Consultant Project No. 080101			
<b>ARTHUR C. S. KWOK</b> ARCHITECTS & ASSOCIATES LIMITED 1401 ARGYLE CENTRE ONE KOWLOON			
<b>TEAM 73 HK Limited</b> urban design urban planning landscape architecture 8/F, China Hong Kong Tower 8, Harmony Road, Sheung Wan Tel: 2882-8713 Fax: 2882-8829 Email: design@team73.com			
<b>CANWEST CONSULTANTS LIMITED</b> CIVIL & STRUCTURAL ENGINEERS 15/F, 433 SOHO'S ROAD, NORTH POINT, HONG KONG TEL: (852) 2882 1128 FAX: (852) 2881 8266 E-MAIL: canwest@canwest.hk			
<b>THOMAS ANDERSON &amp; PARTNERS (H.K.) LIMITED</b> CONSULTING ENGINEERS, BUILDING SERVICES 湯瑪士(香港)有限公司			
Designed	Name	Signed	Date
Drawn			
Checked			
Approved			

Contract No.	
File No.	
Project No. 420 RO	
Consultant Agreement No. 9AS022	
Contract LOCAL OPEN SPACE AT CHUNG YEE STREET, KOWLOON CITY DISTRICT	
Drawing Title STANDARD DETAILS FOR DRAINAGE SYSTEM (II)	
Drawing No. BS/2263/SD302	Scale N.T.S.
Approved	Signed (Chief) 04 JUL 2008 (Date)

