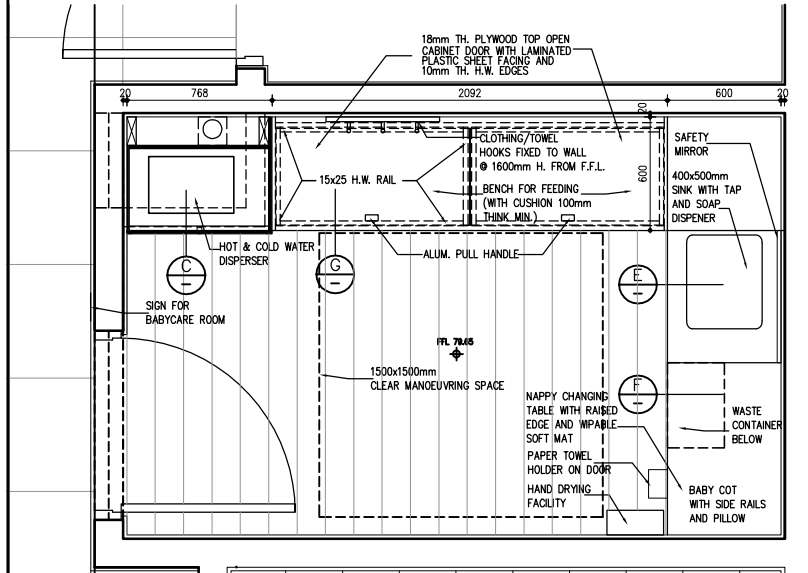
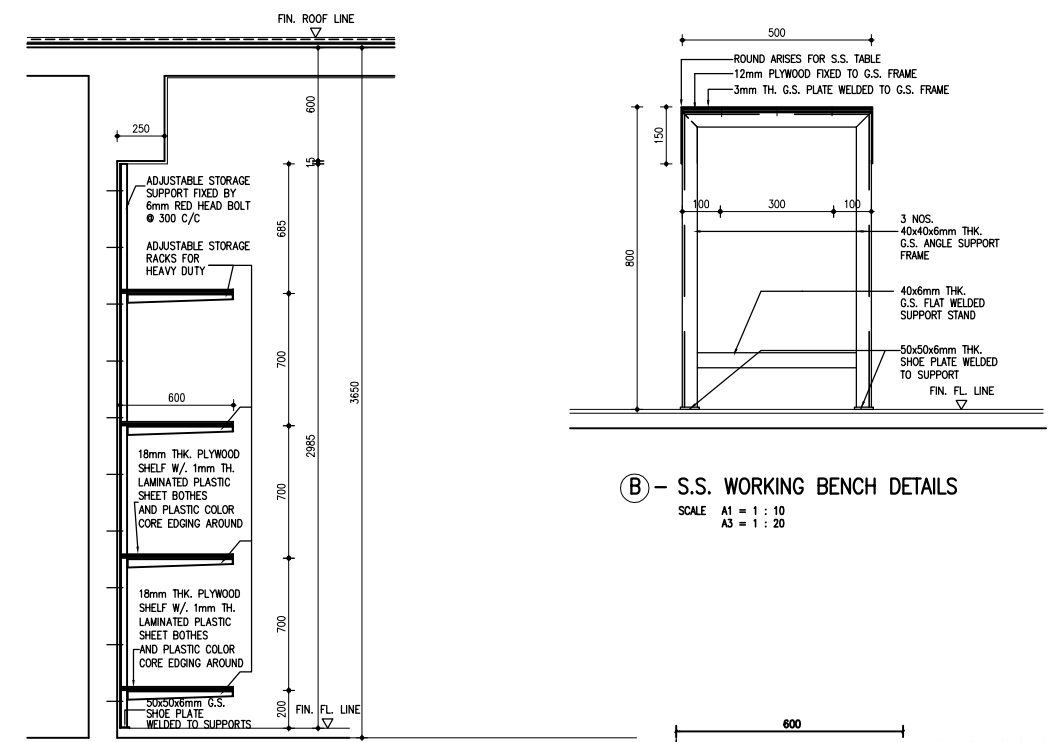


PART PLAN OF STORE ROOM
SCALE A1=1:20
A3=1:40

NOTE : CONTRACTOR HAS TO SUBMIT SHOP DRAWING FOR APPROVAL

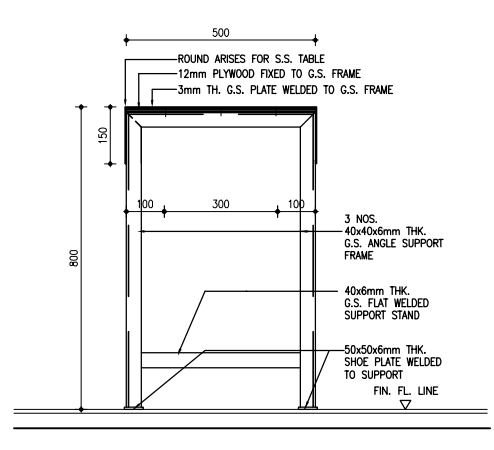


PART PLAN OF BABYCARE ROOM
SCALE A1=1:20
A3=1:40

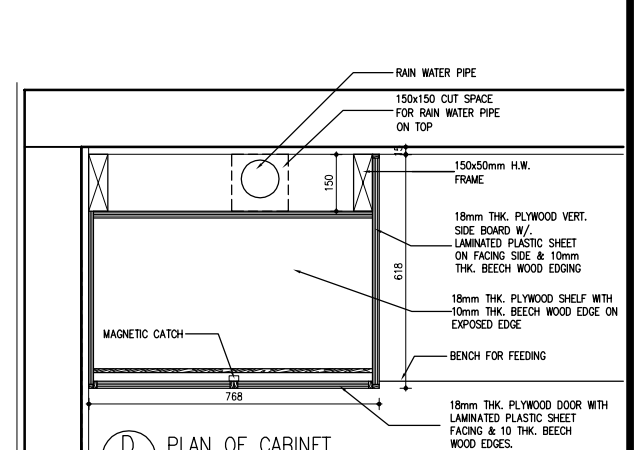


A - FULL HEIGHT ADJUSTABLE SHELF (HEAVY DUTY)
SCALE A1 = 1 : 20
A3 = 1 : 40

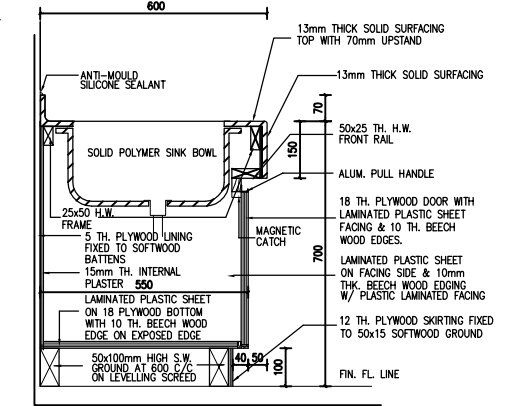
* ADJUSTABLE HEAVY DUTY STORAGE RACK TO BE SUBMITTED SAMPLE & SHOP DRAWING BY CONTRACTOR FOR APPROVAL



B - S.S. WORKING BENCH DETAILS
SCALE A1 = 1 : 10
A3 = 1 : 20

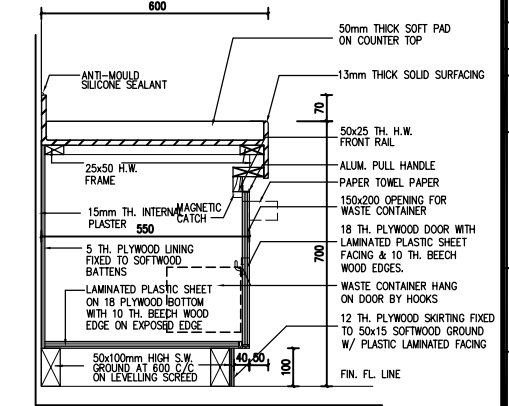


D - PLAN OF CABINET
SCALE A1=1 : 10, A3=1:20



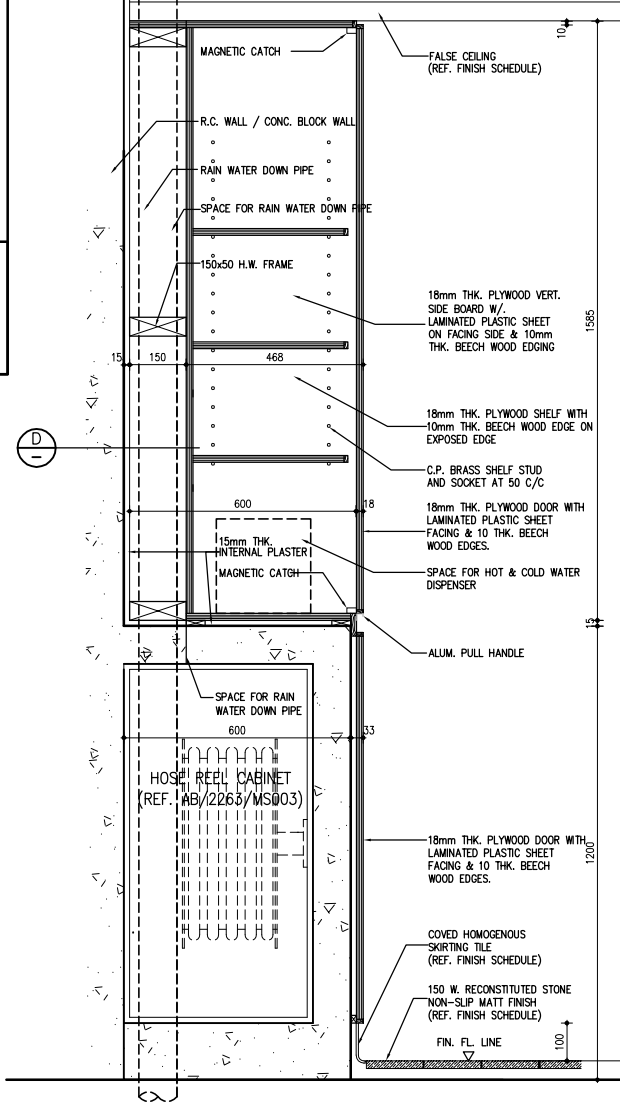
E - CABINET WITH SINK
SCALE 1 : 10

IRONMONEY :
CONCEALED HINGE 4 NOS
MAGNETIC CATCH 2 NOS



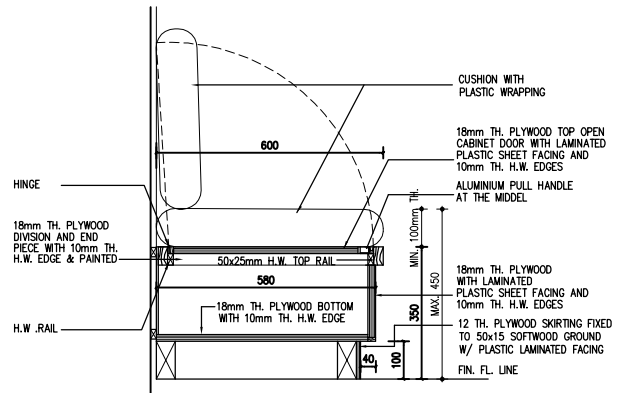
F - CABINET WITH SINK
SCALE 1 : 10

IRONMONEY :
CONCEALED HINGE 4 NOS
MAGNETIC CATCH 2 NOS



C - CABINET FOR BABYCARE ROOM
SCALE A1=1 : 10, A3=1:20

IRONMONEY :
CONCEALED HINGE 8 NOS
BRASS SHELF STUD 8 NOS
BRASS SHELF STUD SOCKET 36 NOS
MAGNETIC CATCH 2 NOS



G - BENCH WITH SWING DOOR
SCALE 1 : 10

IRONMONEY :
HINGE 4 NOS
LOCK 2 NOS

Notes :
HEAVY DUTY ADJUSTABLE SHELF AND UNFIXING BENCH DETAILS ARE TO SHOW DESIGN INTENT AND SIZE REQUIREMENT ONLY.
CONTRACTOR SHOULD PROPOSE PROPRIETARY PRODUCTS SUITING THE SIZE AND USE FOR ARCHITECT'S APPROVAL.

No.	Date	Description	Initial
Revision			
Consultant Project No. 080101			
ARTHUR C. S. KWOK ARCHITECTS & ASSOCIATES LIMITED 1401 ARGYLE CENTRE ONE KOWLOON			
TEAM 73 HK Limited urban design urban planning landscape architecture 1/F Cheong Hong Kong Tower & Hennessy Road, Hong Kong Tel: 2882-8713 Fax: 2882-8829 Email: oul@team73.com			
CANWEST CONSULTANTS LIMITED CIVIL & STRUCTURAL ENGINEERS 18/F, 433 HONG KONG ROAD, NORTH POINT, HONG KONG TEL: (852) 2882 1128 FAX: (852) 2881 4386 E-MAIL: canwest@canwest.com.hk			
THOMAS ANDERSON & PARTNERS (H.K.) LIMITED CONSULTING ENGINEERS, BUILDING SERVICES 湯瑪士(香港)有限公司			
Designed	Name	Signed	Date
Drawn	PT/EL	<i>[Signature]</i>	DEC 2011
Checked	TH	<i>[Signature]</i>	DEC 2011
Approved	AL	<i>[Signature]</i>	DEC 2011

Contract No.	SS T320
File No.	
Project No.	420 R0
Consultant Agreement No.	9AS022
Contract	LOCAL OPEN SPACE AT CHUNG YEE STREET, KOWLOON CITY DISTRICT
Drawing Title	TYPICAL DETAILS OF HIGH SHELF, CABINET AND S.S. WORKING BENCH
Drawing No.	AB/2263/MS004
Scale	A1=1:25 & 1:10 A3=1:50 & 1:20
(Date)	

ARCHITECTURAL SERVICES DEPARTMENT