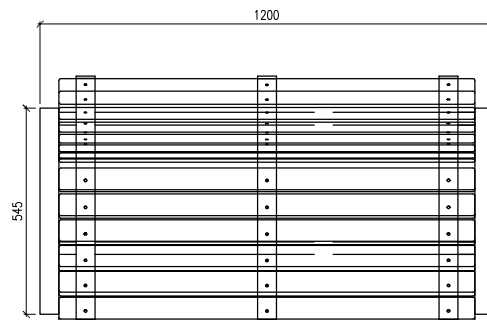
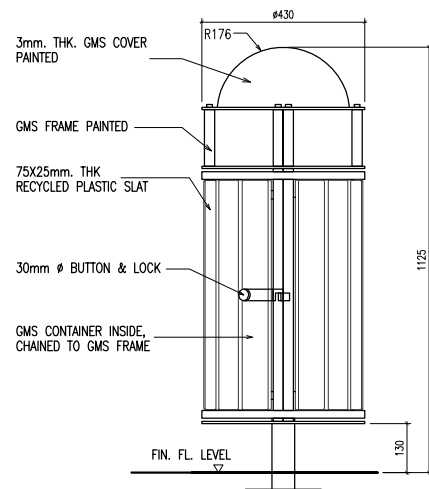


TOP VIEW



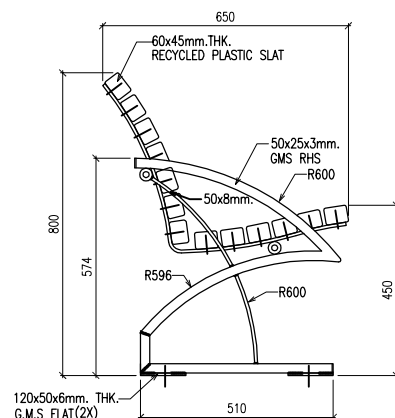
TOP VIEW



FRONT VIEW

DETAIL OF LITTER BIN

SCALE A1=1:10, A3=1:20

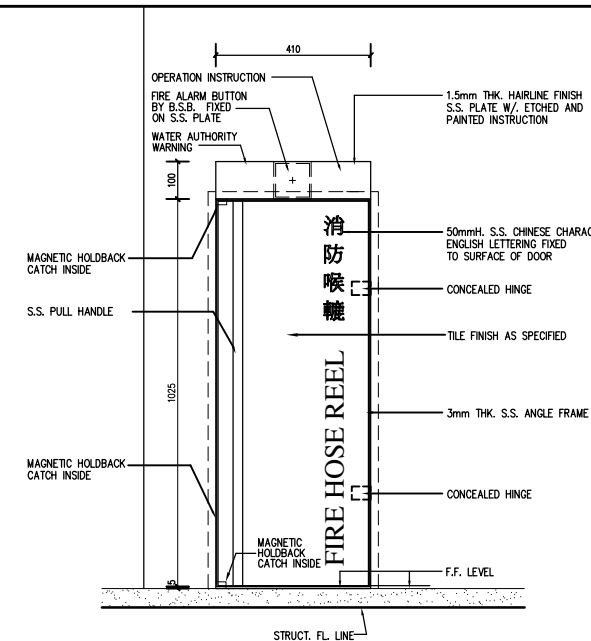


SIDE VIEW

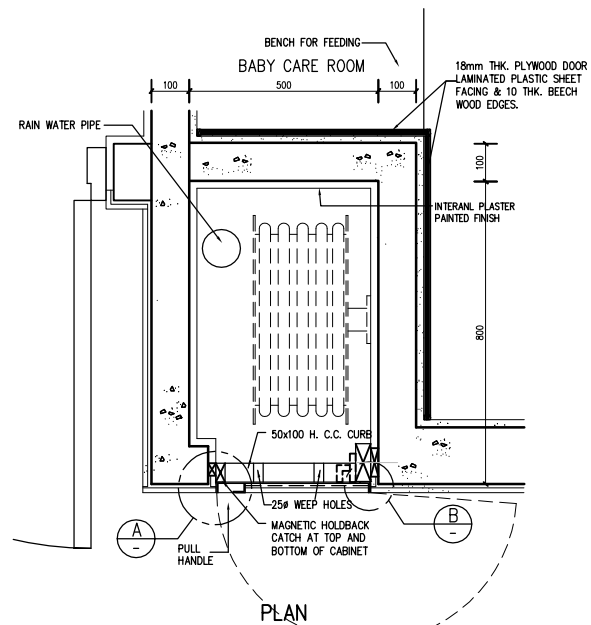
DETAIL OF BENCH

SCALE A1=1:10, A3=1:20

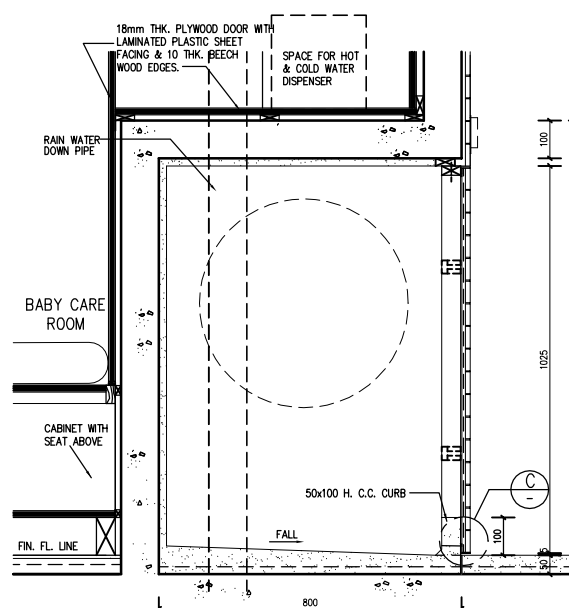
- NOTE:-
1. BENCH, LITTER BIN AND RECYCLED BIN SHOULD BE PROPRIETARY PRODUCTS. THE DETAILS AS SHOWN ARE FOR INDICATION OF DESIGN INTENT AND DIMENSION REQUIREMENTS ONLY.
 2. THE CONTRACTOR HAS TO SUBMIT SHOP DRAWING AND IMAGES OF THE PROPRIETARY BENCH, LITTER BIN AND RECYCLED BIN.
 3. THE CONTRACTOR HAS TO PROVIDE FIXING DETAILS SUPPORTED BY STRUCTURAL CALCULATIONS FOR ANCHORING THE BENCH, LITTER BIN AND RECYCLED BIN INTO GROUND.



ELEVATION



PLAN



VERTICAL SECTION

DETAIL OF HOSE REEL 1:10

Notes :

EXACT DIMENSION OF WATER METER CABINET SHOULD REFER TO BUILDING SERVICE DETAILED DRAWINGS

No.	Date	Description	Initial
-----	------	-------------	---------

Revision

Consultant Project No.

080101

ARTHUR C. S. KWOK
ARCHITECTS & ASSOCIATES LIMITED
郭克輝建築師有限公司



1401 ARGYLE CENTRE ONE KOWLOON

TEAM 73 HK Limited
urban design urban planning landscape architecture

CANWEST CONSULTANTS LIMITED
CIVIL & STRUCTURAL ENGINEERS
建築工程師有限公司

THOMAS ANDERSON & PARTNERS (H.K.) LIMITED
CONSULTING ENGINEERS, BUILDING SERVICES
湯瑪士(香港)有限公司

Designed	Name	Signed	Date
PT / EL		<i>PT/EL</i>	DEC 2011
Drawn	WS / KEI	<i>WS/KEI</i>	DEC 2011
Checked	TH	<i>TH</i>	DEC 2011
Approved	AL	<i>AL</i>	DEC 2011

Contract No. SS T320

File No.

Project No. 420 R0

Consultant Agreement No. 9AS022

Contract LOCAL OPEN SPACE AT CHUNG YEE STREET, KOWLOON CITY DISTRICT

Drawing Title FIRE HOSE REEL CABINET DETAILS, LITTER BIN DETAILS & BENCH DETAILS

Drawing No. AB/2263/MS003

Scale AS SHOWN

(Date)



ARCHITECTURAL SERVICES DEPARTMENT