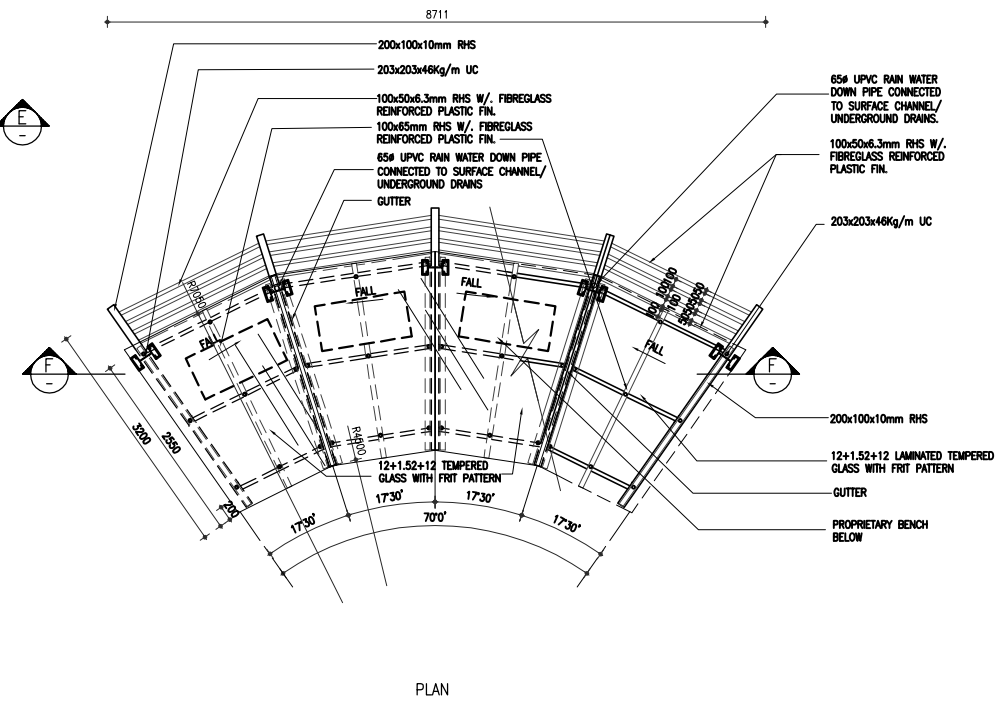


A CIRCULAR ARBOUR
SCALE 1 : 50

B STRAIGHT ARBOUR
SCALE 1 : 50



C CURVED ARBOUR
SCALE 1 : 50

- NOTE :
1. ALL RHS AND GUTTER WITH MINIMUM 5mm THICK FIBREGLASS REINFORCED PLASTIC COATING ALL AROUND.
 2. ALL UC WITH 14mm THICK FIBREGLASS REINFORCED PLASTIC COATING ON FLANGE.
 3. FIBREGLASS REINFORCED PLASTIC TO MATCH COLOUR AND GRAIN OF NATURAL TIMBER.
 4. EXPOSED GNS AND PVC RAINWATER DOWNPIPE PAINTED LIGHT BROWN TO MATCH COLOUR OF NATURAL TIMBER.
 5. DOWNPIPE TERMINATES AT SURFACE CHANNELS OR UNDERGROUND DRAINS. REFER TO DRAINAGE PLAN FOR DETAILS.
 6. REFER TO STRUCTURAL PLAN FOR BASE PLATE AND STRUCTURAL FIXING DETAILS.
 7. SUBMIT SHOP DRAWING FOR APPROVAL BEFORE PREPARATION AND INSTALLATION.

Notes :
ALL STRUCTURAL MEMBER & FOOTING TO BE REFERRED STRUCTURAL DRAWING

No.	Date	Description	Initial
Revision			

Consultant Project No.
080101

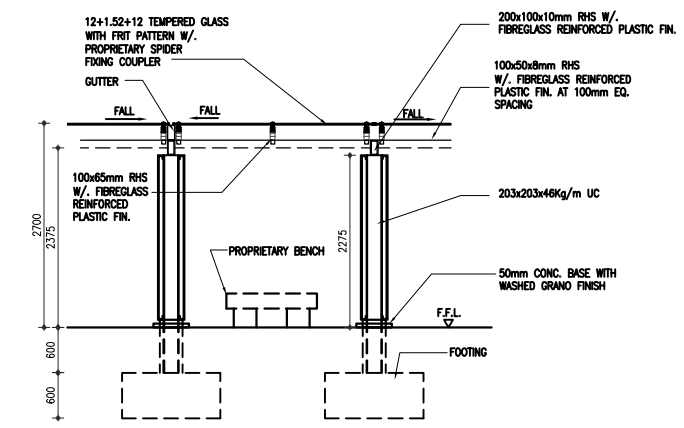
ARTHUR C. S. KWOK
ARCHITECTS & ASSOCIATES LIMITED
郭克壽建築師有限公司
1401 ARGYLE CENTRE ONE KOWLOON

TEAM 73 HK Limited
urban design urban planning landscape architecture
7/F, 433 HONG KONG STREET & HONGKONG STREET, HONG KONG
TEL: (852) 2881 1122 FAX: (852) 2881 4346 Email: aol@team73.com

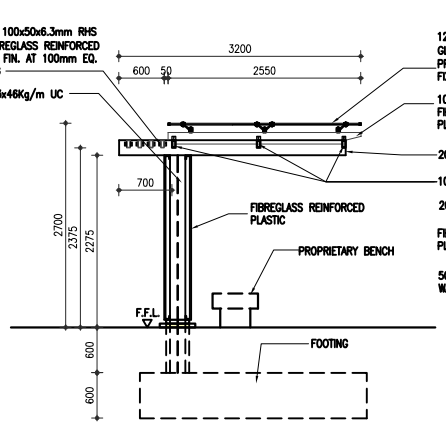
CANWEST CONSULTANTS LIMITED
CIVIL & STRUCTURAL ENGINEERS
建築工程師有限公司
18/F, 433 HONG KONG STREET, NORTH POINT, HONG KONG
TEL: (852) 2881 1122 FAX: (852) 2881 4346 Email: canwest@canwest.com.hk

THOMAS ANDERSON & PARTNERS (H.K.) LIMITED
CONSULTING ENGINEERS, BUILDING SERVICES
湯瑪士(香港)有限公司

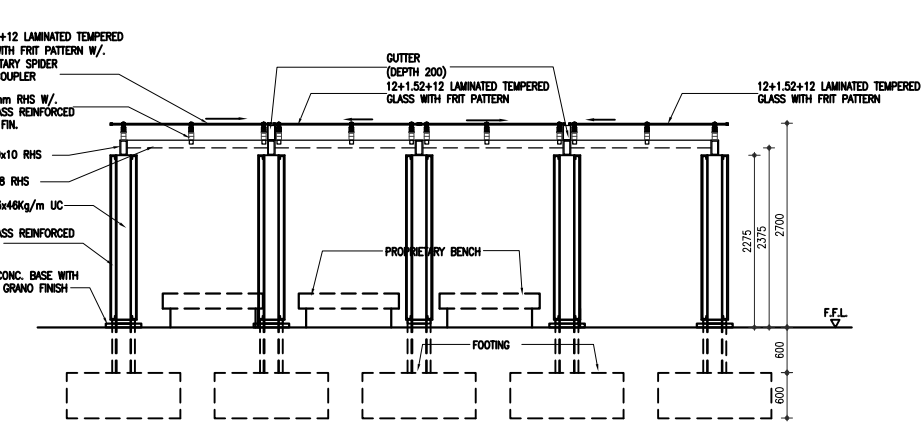
	Name	Signed	Date
Designed	PT/EL	<i>[Signature]</i>	DEC 2011
Drawn	WS	<i>[Signature]</i>	DEC 2011
Checked	TH	<i>[Signature]</i>	DEC 2011
Approved	AL	<i>[Signature]</i>	DEC 2011



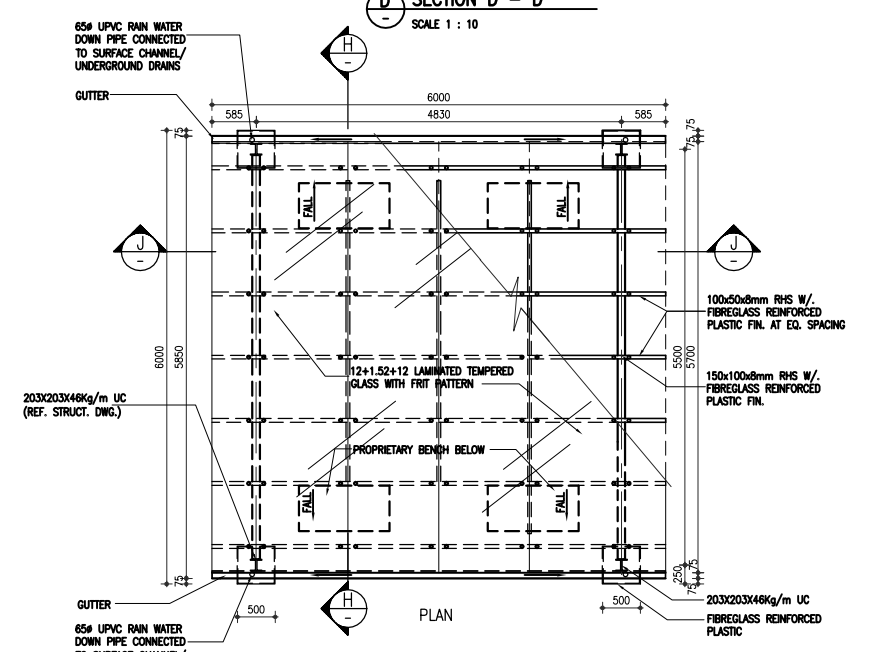
D SECTION D - D
SCALE 1 : 10



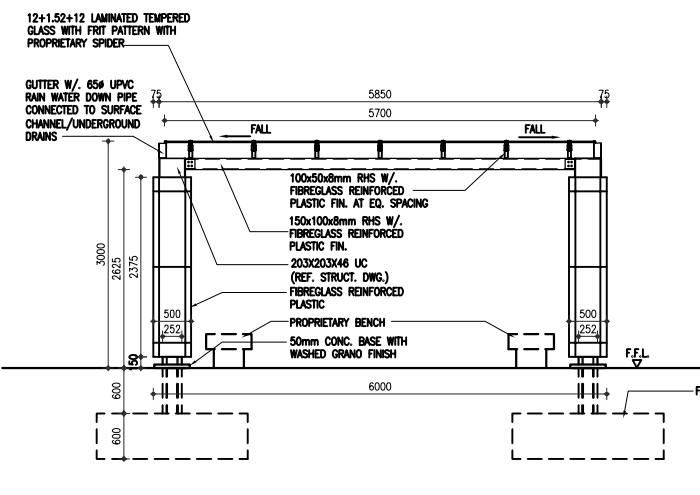
E SECTION E - E
SCALE 1 : 50



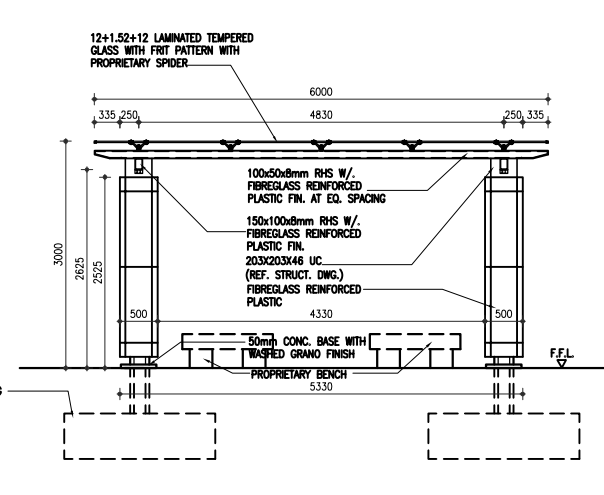
F SECTION F - F
SCALE 1 : 50



G PAVILION DETAIL
SCALE 1 : 50



H SECTION H - H
SCALE 1 : 50



J SECTION J - J
SCALE 1 : 50

Contract No. SS T320

File No.

Project No. 420 R0

Consultant Agreement No. 9AS022

Contract
LOCAL OPEN SPACE AT CHUNG YEE STREET, KOWLOON CITY DISTRICT

Drawing Title
TYPICAL ARBOUR & PAVILION PLAN AND SECTION

Drawing No. AB/2263/GP006

Scale
A1 = 1 : 50
A3 = 1 : 100

(Date)

ARCHITECTURAL SERVICES DEPARTMENT