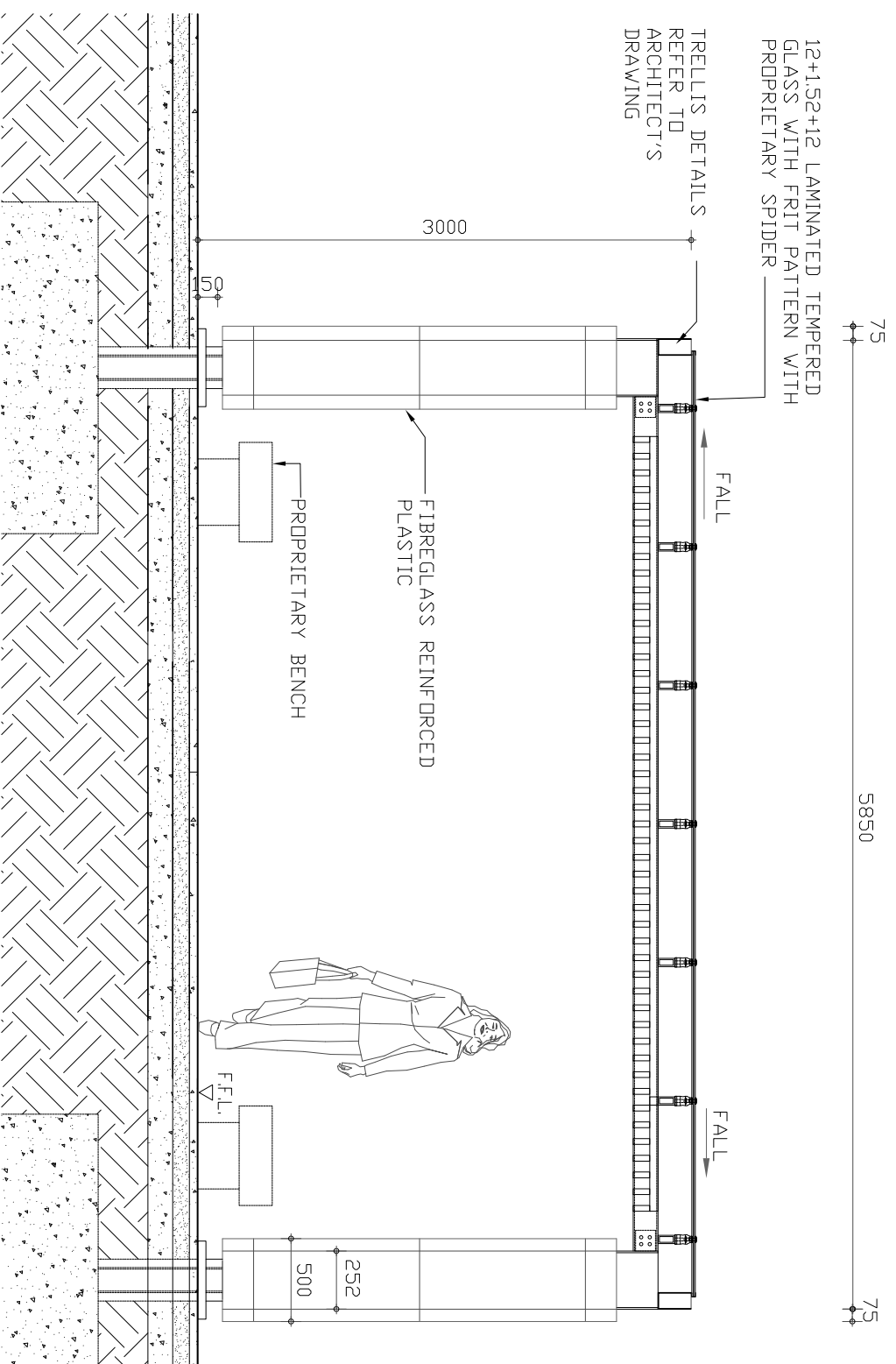
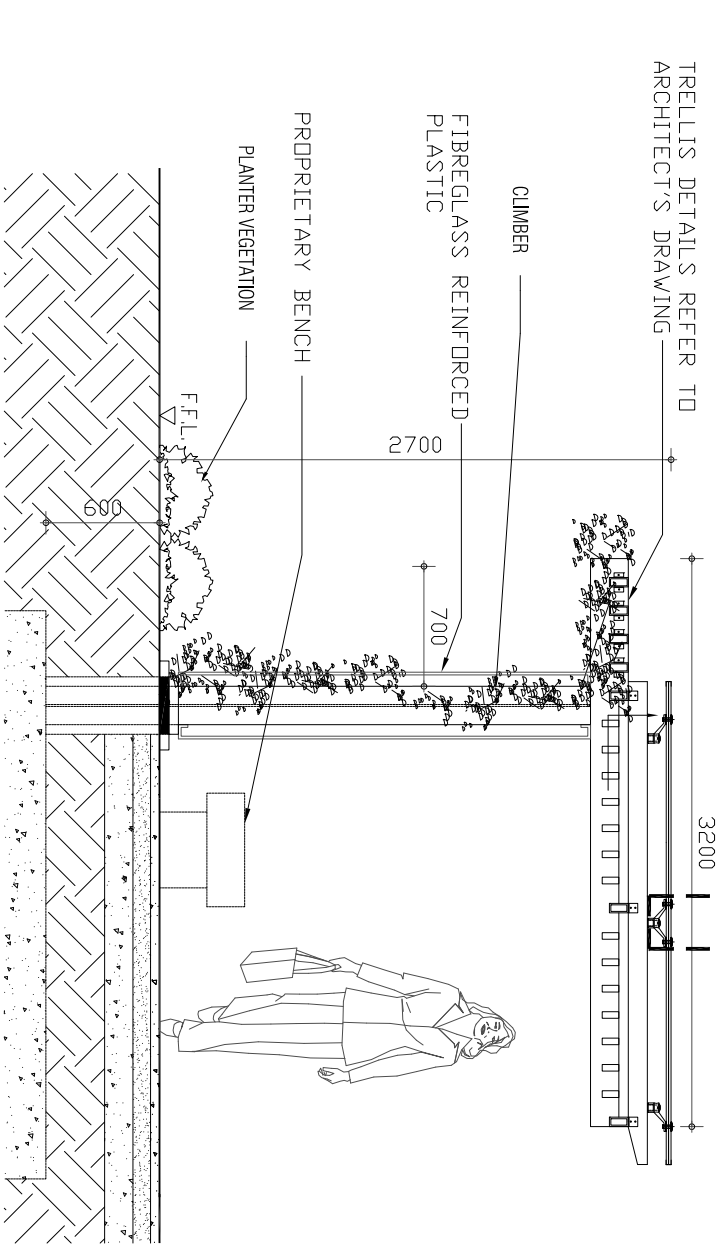


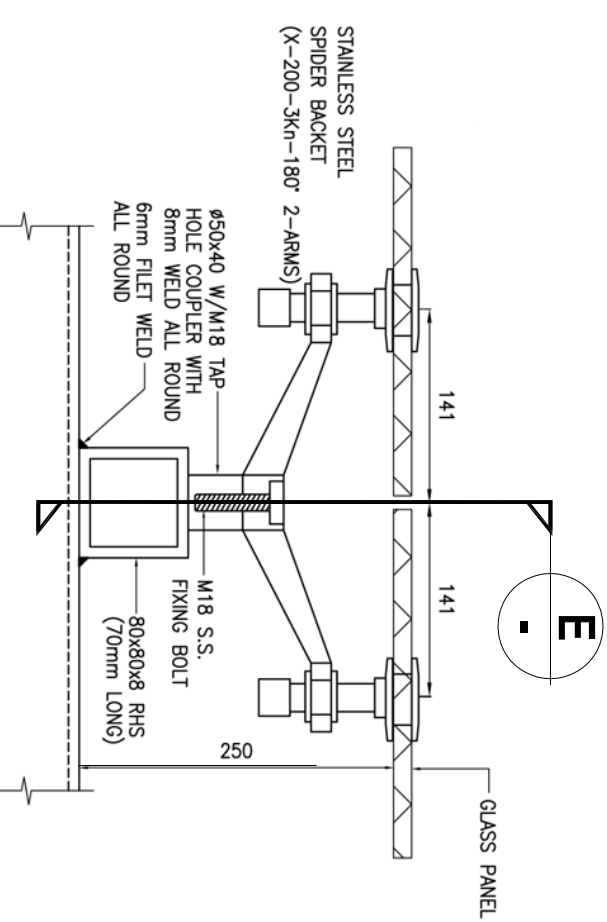
A REFERENCE PLAN
N.T.S.



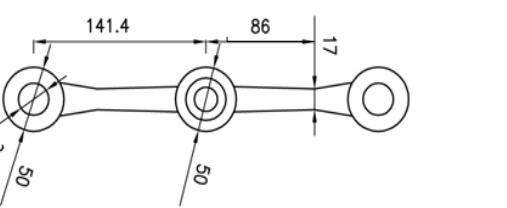
B TRELLIS SECTION DETAIL
SCALE 1:20



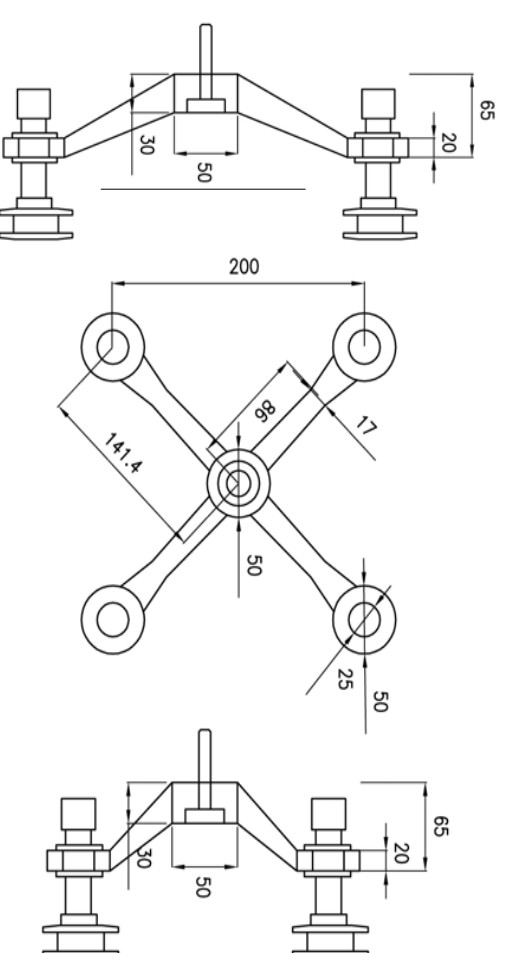
C TRELLIS SECTION DETAIL
SCALE 1:20



D CUREVED ARBOUR
N.T.S.



E CUREVED ARBOUR
N.T.S.



NOTE:
- CONTRACTOR TO LOCATE EXPANSION JOINT @ MAX. 15 FEET LINEAR METER & TO BE APPROVED BY ARCHITECT / STRUCTURAL ENGR.
- ALL SCREENING WATERPROOFING, STRUCTURAL SLAB SHOULD REFER TO ARCHITECT'S STRUCTURAL ENGINEERING / ALL DRAINAGE POINTS, CALCULATIONS & EXACT LOCATIONS OF SUB-SOIL DRAINS SHOULD REFER TO DRAINAGE CONSULTANT'S DRAWINGS.
- PLANTING SOIL & PLANTING MATERIALS INCLUDING PROGRAM DRAWINGS SHOULD BE REFERRED TO ARCHITECT'S PLANTING AREA. THE CONTRACTOR IS REQUIRED TO COORDINATE ESPECIALLY THE LEVELS AMONG SOIL SURFACES, DRAINAGE INSPECTION CHAMBER, PLANTING SOIL SURFACES, PLANTING AREA.
- CONTRACTOR TO PROVIDE SHOP DRAWINGS, FINISH DETAILS, MATERIAL SAMPLES AND STRUCTURAL CALCULATIONS OF STONE FOR PLANTER. KEEB CORING SHOULD BE IN SEGMENT AND TO FOLLOW THE CURVE WEAR PROFILES.

No.	Date	Description	Initial
Revision			
Consultant Project No. 080101			

ARTHUR C. S. KWOK
ARCHITECTS & ASSOCIATES LIMITED
新定偉建築師有限公司
1401 ARCADE CENTRE ONE
KOWLOON

地TEAM 73 HK Limited
Urban design, Urban planning, Landscape architecture
11/F, 433 MANCIE ROAD, NORTH POINT, HONG KONG
Tel: (852) 2862 2113 Fax: (852) 2862 2108
E-mail: team73hk@team73.com

THOMAS ANDERSON & PARTNERS
(H.K.) LIMITED
CONSULTING ENGINEERS, BUILDING SERVICES

Name	Signed	Date
Designed	KH	02 DEC 2011
Drawn	RL	02 DEC 2011
Checked	SI	02 DEC 2011
Approved	SF	02 DEC 2011

Contract No.	
File No.	
Project No.	420 RO
Consultant Agreement No.	9AS022
Contract	LOCAL OPEN SPACE AT CHUNG YEE STREET, KOWLOON CITY DISTRICT
Drawing Title	TRELLIS SECTION DETAIL
Drawing No.	AB/2263/EM137
Scale	AS SHOWN
	13 JUN 2012
	(Date)

