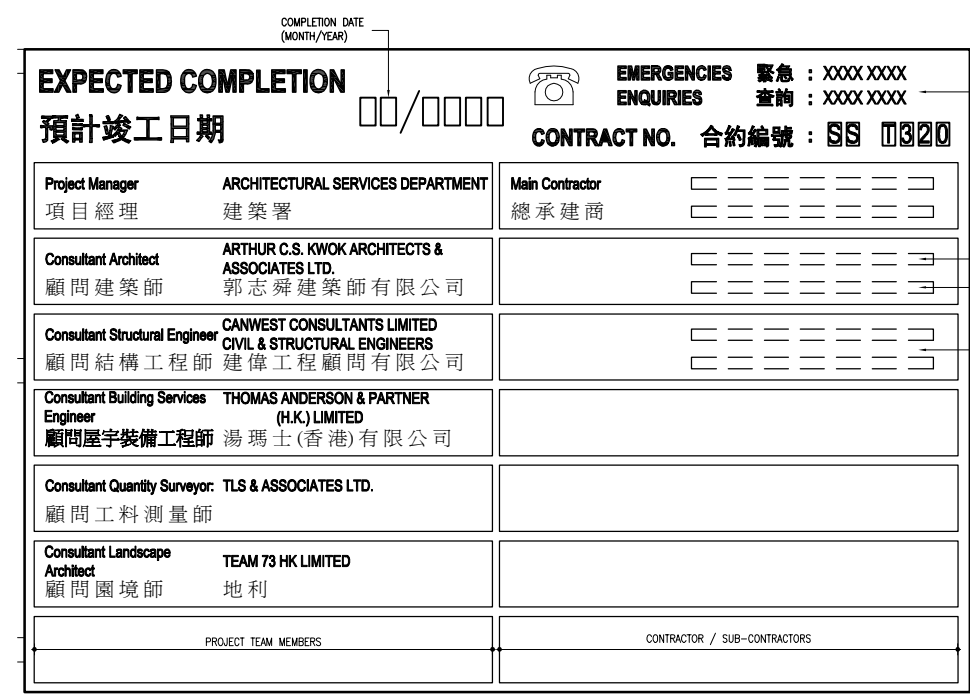
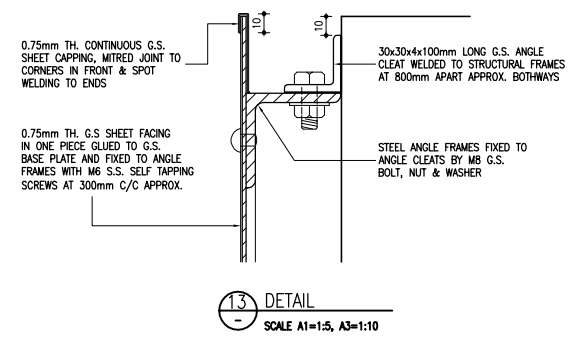
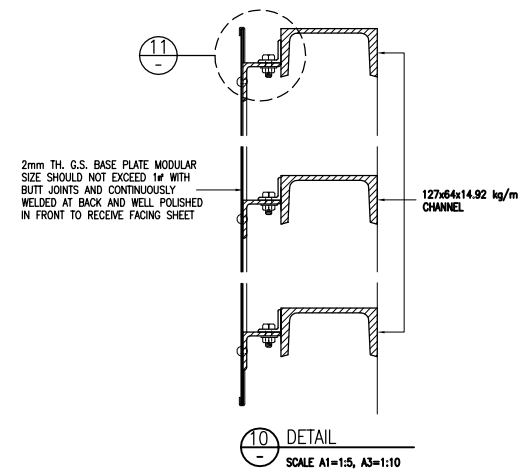


FRONT ELEVATION OF PROJECT SIGNBOARD  
SCALE A1=1:20, A3=1:40



FRONT ELEVATION OF PROJECT TEAM MEMBERS, CONTRACTOR & SUB-CONTRACTORS  
SCALE A1=1:10, A3=1:20

- NOTE:
1. SIZE OF STRUCTURAL MEMBERS FOR SIGNBOARD SUBJECT TO ENGINEER'S APPROVAL.
  2. ASD LOGO & ALL LETTERINGS PAINTED RED.
  3. BACKGROUND PAINTED WHITE.
  4. THE RED COLOUR USED FOR THE LOGO & LETTERINGS TO BE B.S. COLOUR NO. 04E53 OR SIMILAR APPROVED.
  5. THE NO. REQUIRED AND LOCATION OF LIGHTING ARE INDICATIVE ONLY CONTRACTOR IS REQUIRED TO PROVIDE ADEQUATE LIGHTING ACCORDING TO ACTUAL SITE REQUIREMENT TO ENSURE SATISFACTORY ILLUMINATION.
  6. FONT & COLOUR TO BE DETERMINED BY ARCHITECT.



Notes :

No.	Date	Description	Initial
-----	------	-------------	---------

Revision

Consultant Project No. 080101

**ARTHUR C. S. KWOK**  
ARCHITECTS & ASSOCIATES LIMITED  
郭志舜建築師有限公司

1401 ARGYLE CENTRE ONE KOWLOON

**TEAM 73 HK Limited**  
urban design urban planning landscape architecture

1/F Chee Hong Kong Tower & Homeway Street, Sheung Hong Kong  
Tel: 2885-8713 Fax: 2885-4828 Email: oul@team73.com

**CANWEST CONSULTANTS LIMITED**  
CIVIL & STRUCTURAL ENGINEERS  
建偉工程顧問有限公司

18/F, 433 HONG KONG ROAD, NORTH POINT, HONG KONG  
TEL: (852) 2885 1128  
FAX: (852) 2881 4345  
E-MAIL: canwest@canwest.com.hk

**THOMAS ANDERSON & PARTNERS (H.K.) LIMITED**  
CONSULTING ENGINEERS, BUILDING SERVICES  
湯瑪士(香港)有限公司

	Name	Signed	Date
Designed	PT/EL	<i>PT/EL</i>	DEC 2011
Drawn	WS	<i>WS</i>	DEC 2011
Checked	TH	<i>TH</i>	DEC 2011
Approved	AL	<i>AL</i>	DEC 2011

Contract No. SS T320

File No.

Project No. 420 R0

Consultant Agreement No. 9AS022

Contract LOCAL OPEN SPACE AT CHUNG YEE STREET, KOWLOON CITY DISTRICT

Drawing Title TYPICAL DETAILS OF SIGN BOARD

Drawing No. AB/2263/EW005 Scale AS SHOWN

(Date)

**ARCHITECTURAL SERVICES DEPARTMENT**