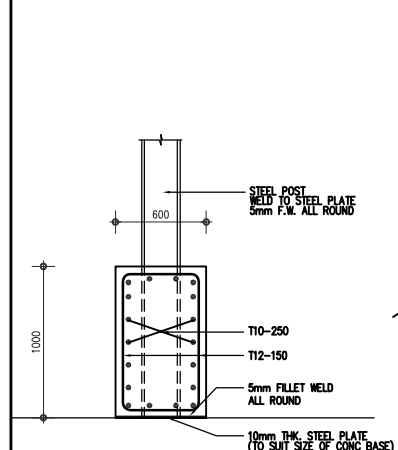
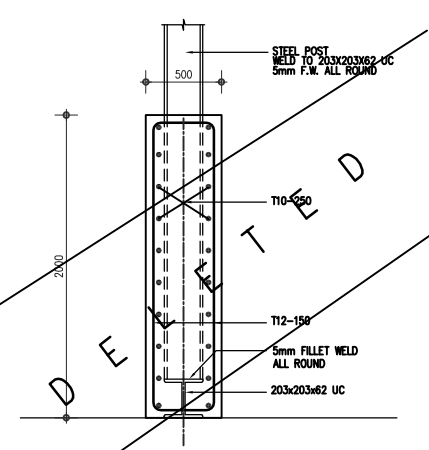


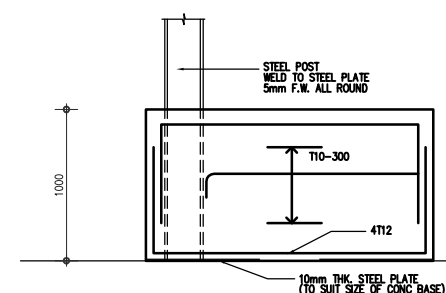
PART PLAN OF ENTRANCE GATE NO. 2 AT CHUNG YEE STREET CARRIAGEWAY 1:100



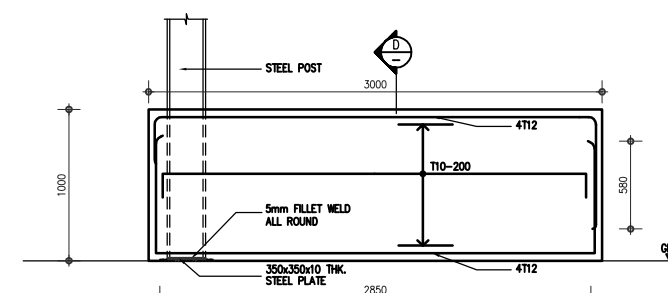
FOOTING DETAIL FOR TYPE 4 1:25



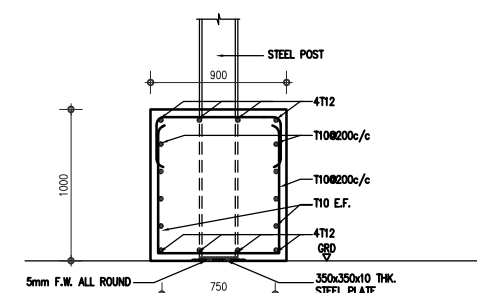
FOOTING DETAIL FOR TYPE 5 1:25



R.C. DETAIL FOR FOOTING TYPE 'B' 1:25



R.C. DETAIL FOR FOOTING TYPE 'A' 1:25



SECTION D - D 1:25

Notes :

No.	Date	Description	Initial
Revision			
Consultant Project No. 080101			

ARTHUR C. S. KWOK ARCHITECTS & ASSOCIATES LIMITED  
 1401 ARGYLE CENTRE ONE KOWLOON

TEAM 73 HK Limited  
 urban design urban planning landscape architecture  
 4/F China Hong Kong Tower & Harbour Road, Hong Kong  
 Tel: 2885-8713 Fax: 2885-4828 Email: design@team73.com

CANWEST CONSULTANTS LIMITED  
 CIVIL & STRUCTURAL ENGINEERS  
 18/F, 433 HONG KONG ROAD, NORTH POINT, HONG KONG  
 TEL: (852) 2881 1128 FAX: (852) 2881 4340  
 E-MAIL: canwest@canwest.com.hk

THOMAS ANDERSON & PARTNERS (H.K.) LIMITED  
 CONSULTING ENGINEERS, BUILDING SERVICES  
 湯瑪士(香港)有限公司

	Name	Signed	Date
Designed	PT/EL	<i>PT/EL</i>	DEC 2011
Drawn	WS	<i>WS</i>	DEC 2011
Checked	TH	<i>TH</i>	DEC 2011
Approved	AL	<i>AL</i>	DEC 2011

Contract No. SS T320

File No.

Project No. 420 R0

Consultant Agreement No. 9AS022

Contract LOCAL OPEN SPACE AT CHUNG YEE STREET, KOWLOON CITY DISTRICT

Drawing Title

HOARDING DETAILS 2/2

Drawing No. AB/2263/EW004

Scale AS SHOWN

(Date)

ARCHITECTURAL SERVICES DEPARTMENT