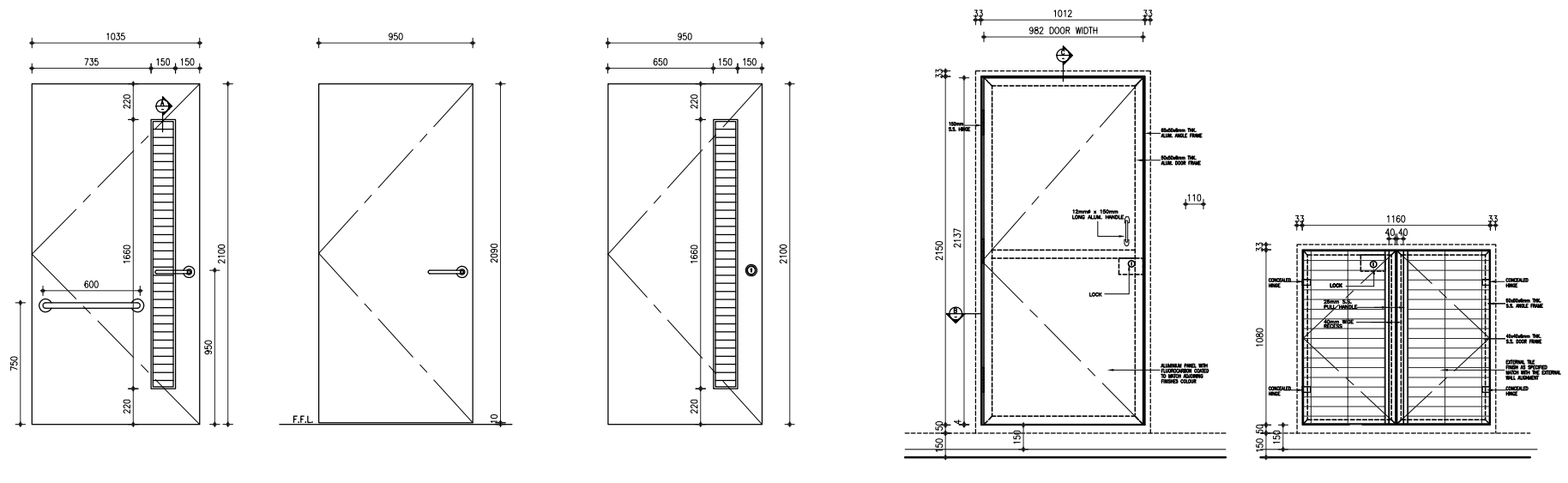
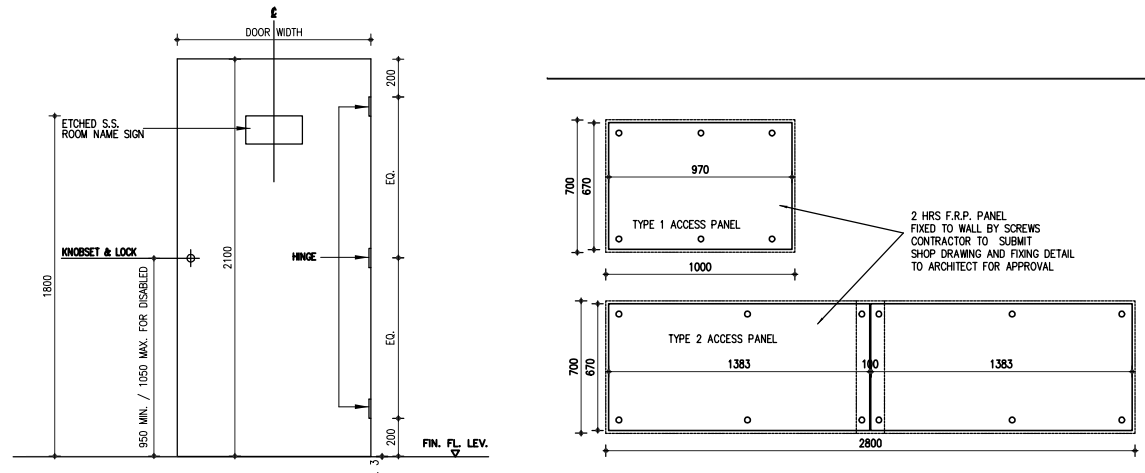


SOLID CORE FLUSH DOOR SCHEDULE

ELEVATION

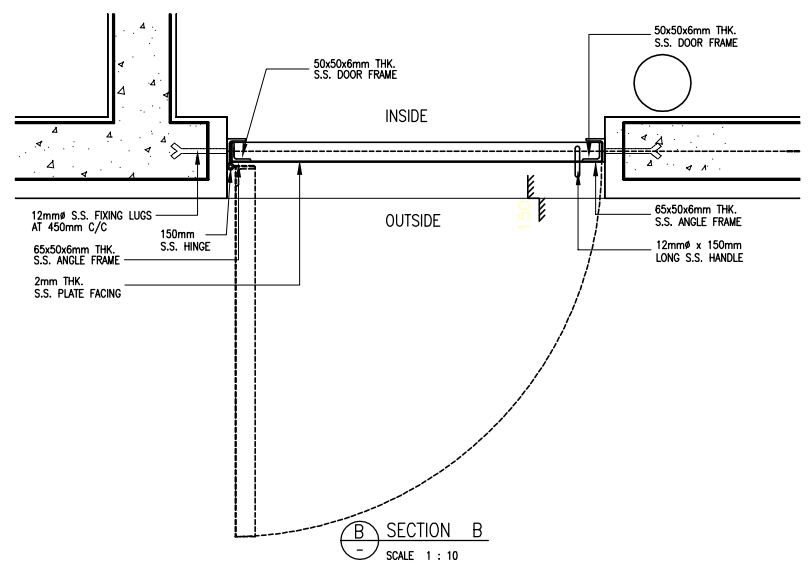


DOOR MARK	⊕	⊕	⊕	⊕	⊕
CONSTRUCTION	STAINLESS STEEL DOOR	STAINLESS STEEL DOOR	STAINLESS STEEL DOOR	STAINLESS STEEL DOOR	STAINLESS STEEL DOOR
FACING MATERIAL	FLUOROCARBON COATED TO MATCH ADJOINING FINISHES COLOUR	FLUOROCARBON COATED TO MATCH ADJOINING FINISHES COLOUR	FLUOROCARBON COATED TO MATCH ADJOINING FINISHES COLOUR	FLUOROCARBON COATED TO MATCH ADJOINING FINISHES COLOUR	2mm THK. S.S. PLATE
LOCATION	DISABLED LAVATORY	BABY CARE ROOM	MCB ROOM	PORTABLE/FLUSHING PUMP ROOM F.S. PUMP ROOM	F.S. CHECK METER CABINET
HINGE	3 NOS. EA.	3 NOS. EA.	3 NOS. EA.	3 NOS. EA.	1 NO. EA.
REMARKS	WITH S.S. ROOM NAME SIGN & GRAB BAR ON BOTH SIDE & WITH V-SHAPE LOUVRE	WITH S.S. ROOM NAME SIGN	1 HR F.R.P. WITH S.S. ROOM NAME SIGN	1 HR F.R.P. WITH S.S. ROOM NAME SIGN	WITH S.S. ROOM NAME SIGN

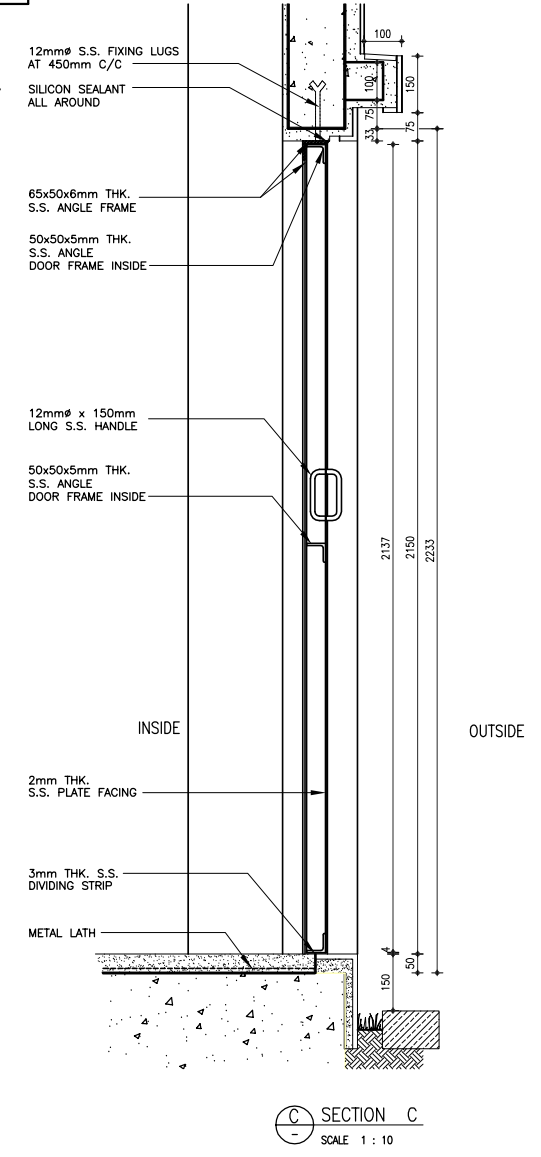


TYPICAL DOOR HARDWARE SETTING OUT  
A1=1:20, A3=1:40

ACCESS PANEL DETAIL  
A1=1:20, A3=1:40



SECTION B  
SCALE 1:10



SECTION C  
SCALE 1:10

Notes :  
CONTRACTOR TO BE SUBMITTED SAMPLE AND SHOP DRAWING FOR ARCHITECT'S APPROVAL

No.	Date	Description	Initial
Revision			
Consultant Project No. 080101			

**ARTHUR C. S. KWOK**  
ARCHITECTS & ASSOCIATES LIMITED  
郭志輝建築師有限公司  
1401 ARGYLE CENTRE ONE KOWLOON

**TEAM 73 HK Limited**  
urban design urban planning landscape architecture  
1/F Chee Hong Kong Tower & Harmony Road, Hong Kong  
Tel: 2885-8713 Fax: 2885-4828 Email: oug@team73.com

**CANWEST CONSULTANTS LIMITED**  
CIVIL & STRUCTURAL ENGINEERS  
建築工程師有限公司  
18/F, 433 HONG KONG ROAD, NORTH POINT, HONG KONG  
TEL: (852) 2885 1128  
FAX: (852) 2881 4346  
E-MAIL: canwest@canwest.com.hk

**THOMAS ANDERSON & PARTNERS (H.K.) LIMITED**  
CONSULTING ENGINEERS, BUILDING SERVICES  
湯瑪士(香港)有限公司

Designed	Name	Signed	Date
Drawn	PT/EL	<i>WS</i>	DEC 2011
Checked	TH	<i>TH</i>	DEC 2011
Approved	AL	<i>AL</i>	DEC 2011

Contract No.	SS T320
File No.	
Project No.	420 RO
Consultant Agreement No.	9AS022
Contract	LOCAL OPEN SPACE AT CHUNG YEE STREET, KOWLOON CITY DISTRICT

Drawing Title  
**DOOR SCHEDULE & TYPICAL DETAILS**

Drawing No.	AB/2263/ CA003	Scale	AS SHOWN
-------------	----------------	-------	----------

(Date)

**ARCHITECTURAL SERVICES DEPARTMENT**